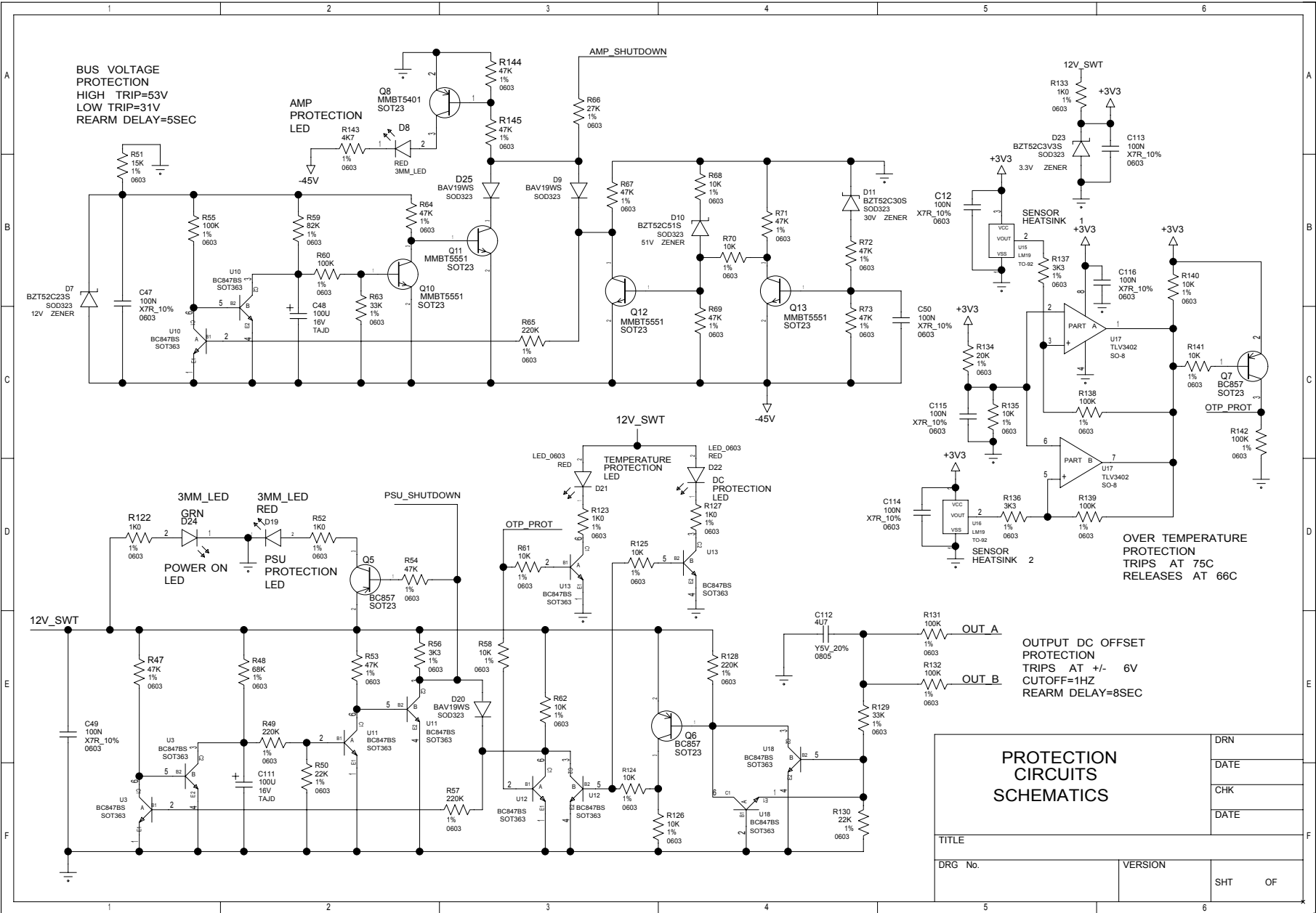


AMPLIFIER  
B-CHANNEL  
SCHEMATICS

TITLE		DRN
DRG No.		DATE
VERSION		CHK
SHT		DATE
OF		



**BUS VOLTAGE PROTECTION**  
**HIGH TRIP=53V**  
**LOW TRIP=31V**  
**REARM DELAY=5SECC**

**AMP PROTECTION LED**

**AMP\_SHUTDOWN**

**TEMPERATURE PROTECTION LED**

**DC PROTECTION LED**

**POWER ON LED**

**PSU PROTECTION LED**

**PSU\_SHUTDOWN**

**OTP PROT**

**OVER TEMPERATURE PROTECTION TRIPS AT 75C RELEASES AT 66C**

**OUTPUT DC OFFSET PROTECTION TRIPS AT +/- 6V CUTOFF=1HZ REARM DELAY=8SECC**

**PROTECTION CIRCUITS SCHEMATICS**

TITLE		DRN
DRG No.		DATE
VERSION		CHK
SHT OF		DATE